

BC SERIES - UPBLAST BELT DRIVE SPUN ALUMINUM EXHAUSTERS



Ideal for exhausting air from kitchens, restaurants, offices, warehouses or commercial buildings. The BC series spun aluminum exhaust fan can be used as either a roof top or wall mount exhaust fan.

For Performance Specifications please see next page.

FEATURES

- Spun aluminum housing will not rust, chip or peel.
- Aluminum backward inclined wheel is non-overloading.
- Belt drive.
- Available with a variety of field or factory installed 1 phase, 115/208-230V or 3 Phase 230/460V motors.
- Units up to 52BC (max 2HP) can be wall mounted.
- Quick release latches for easy motor access.

OPTIONS

- Wall mount bracket (for all sizes up to 48BC)
- Grease collection box (required for UL762)
- Curb hinge
- Disconnect switches
- Roof curbs

DIMENSIONS

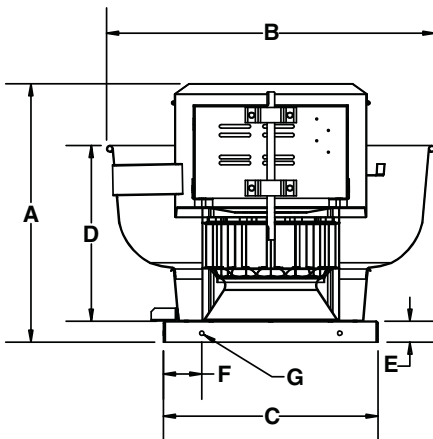
MODEL	DIMENSIONS (INCHES)										Net Weight (lbs)
	A	B	C	D	E	F	G Ø	Shaft Size	Wheel Diameter	Roof Opening	
28BC	31.13	37.50	24.75	21.13	2.00	4.00	0.44	3/4"	16.50	20.75	138
36BC	31.75	37.50	28.00	21.13	2.00	4.00	0.44	3/4"	18.25	20.75	149
48BC/52BC	36.25	43.75	33.13	25.50	2.50	4.00	0.44	1"	21.25	29.00	233
72BC	37.00	43.75	33.13	25.50	2.50	4.00	0.44	1"	24.50	29.00	240



UL762 certified, refer to next page for all installation requirements



NAKS certifies that the BC Series shown herein are licensed to bear the AMCA Seal. The ratings shown are based on tests and procedures performed in accordance with AMCA Publications 211 & 311 and comply with the requirements of the AMCA Certified Ratings Programme.



QUICK RELEASE LATCHES FOR EASY MOTOR ACCESS



BC SERIES - UPBLAST BELT DRIVE SPUN ALUMINUM EXHAUSTERS

PERFORMANCE SPECIFICATIONS

BC UB WITH MOTORS & DRIVES and wired disconnect

Part #	PHASE	VOLTS	HP	*RPM	0" SP		.25" SP		.5" SP		.75" SP		1.00" SP		CFM @ 1.25"SP		CFM @ 1.50" SP		
					CFM	Sones	CFM	Sones	CFM	Sones	CFM	Sones	CFM	Sones	CFM	Sones	CFM	Sones	CFM
28BC 28B3C	1	115/208-230 230/460	1HP	1052	2198	17.6	2016	16.4	1808	15	1550	13.7							
	3			1213	2535	23	2381	22	2016	17.7	2015	19.1	1783	17.8					
				1399	2953	28	2793	27	2646	26	2492	25	2322	23	2132	22	1850	21	
36BC 36B3C	1	115/208-230 230/460	1.5HP	1080	2930	18.3	2739	17.3	2450	18.2	2120	15.4	1640	14.7					
	3			1270	3470	26	3293	24	3090	23	2850	23	2530	22	2180	22			
				1468	4000	31	3860	30	3700	29	3500	29	3290	28	3020	28	3000	29	
48BC 48B3C	1	115/208-230 230/460	1.5HP	815	3520	14	3146	12.3	2750	11.7	2120	11.5							
	3			970	4180	18.9	3874	17.2	3580	16.4	3210	16.1	2680	15.8	1800	15.6			
				1070	4608	22	4335	21	4070	19.9	3790	19.4	3390	19	2900	18.9	2080	18.7	
52BC 52B3C	1	115/208-230 230/460	2HP	889	3820	16.1	3494	14.5	3158	13.8	2686	13.6	2055	13.8					
	3			1058	4550	23	4277	20	3993	19.3	3710	18.9	3319	18.7	2790	18.5	1860	18.4	
				1230	5300	28	5060	27	4822	26	4580	25	4330	25	4009	25	3613	24	
72BC 72B3C	1	115/208-230 230/460	3HP	763	4985	18.4	4559	16.7	3960	15.4	3150	14.4	1800	13.1					
	3			869	5658	22	5319	21	4850	19.7	4250	18.9	3450	17.8	2400	17.6			
				1015	6618	28	6332	27	5980	26	5550	26	5000	25	4400	24	3620	23	

* Fans set at the middle of the RPM Range, close adjustable pulley to increase RPM, open to reduce RPM.
** 115V only. All other motors will be wired at high voltage.



UL762 LISTED PRODUCTS AND REQUIREMENTS (Kitchen Exhaust)

WHAT IS UL762?

Power ventilators for kitchen and restaurant exhaust appliances covered by these requirements are intended for installation in accordance with the Standard of the National Fire Protection Association for the Installation of Equipment for the Removal of Smoke and Grease-Laden Vapors from Commercial Cooking Equipment, NFPA 96.

UL762 LISTED PRODUCTS



REQUIREMENTS

REQUIREMENT	DC/EC/BC SERIES	
	STANDARD	ACCESSORY
Designed for removal of smoke and/or grease laden air	●	
Air temperatures up to 300°F	●	
Access for cleanout	●	
Grease drain	●	
Grease collection box		●
Minimum 500 FPM airflow in duct**	●	
Vented roof curb extending discharge minimum 40" above roofline		●
Curb hinge		●

Units must be mounted to extend outlet minimum 40" above roofline
** based on standard NAKS configurations with Motors and Drives